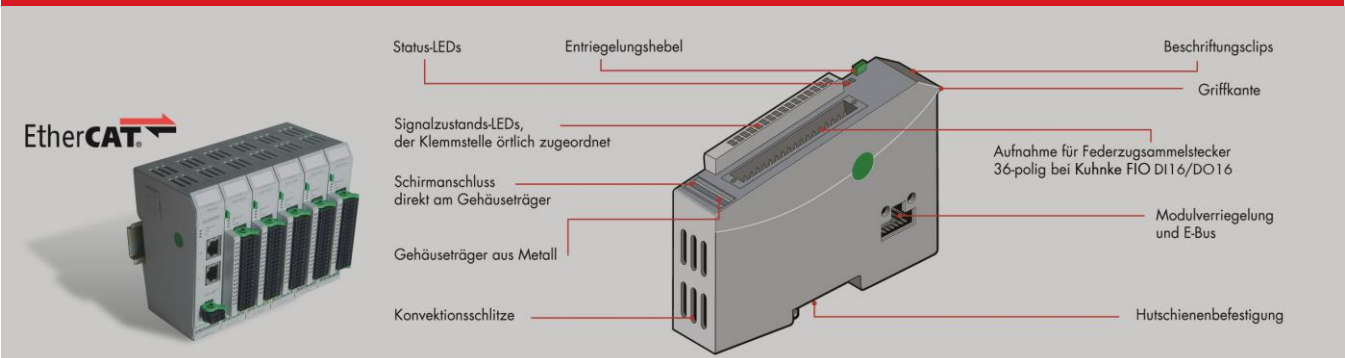


Kuhnke FIO

Control Technology



Description	Order number	Function
Controller (CODESYS PLC)	694 300 16 000 Kuhnke FIO Controller 116 694 500 16 000 Kuhnke FIO Controller 116 SM 694 600 16 000 Kuhnke FIO Controller 116 CNC 694 322 16 001 Kuhnke FIO Controller 116 IRT	PLC with RS232, CANopen®, EtherCAT® like 116 but with CODESYS-Softmotion like 116 but with CODESYS-CNC & Rob. like 116 but with PROFINET® Device Extension (2 x RJ45) and OPC UA
EtherCAT® bus coupler	694 400 00 Kuhnke FIO Coupler, 3A 694 400 10 Kuhnke FIO Coupler DI16/DO16 694 400 08 Kuhnke FIO Coupler DI8/DO8	EtherCAT® RJ45 In / Out 2A, EtherCAT® RJ45 In / Out, 16 Inputs 3ms, 16 Outputs 0.5A 2A, EtherCAT® RJ45 In / Out, 8 Inputs 3ms, 8 Outputs 0.5A
Extension modules Communication	694 400 02 Kuhnke FIO Extender 694 455 02 Kuhnke FIO RS485 1 Port 694 455 04 Kuhnke FIO RS232 2 Port 694 455 06 Kuhnke FIO CAN Master/Slave	2 x EtherCAT RJ45 Out 1 x RS485 2 x RS232 1 x CAN
Extension modules Digital input / output	694 450 02 Kuhnke FIO DI16/DO8 1A 694 450 03 Kuhnke FIO DI16/DO16 694 450 04/ 05 Kuhnke FIO DI8/DO8 694 451 02/ 04 Kuhnke FIO DI32 694 451 03 Kuhnke FIO DI16 694 452 01 Kuhnke FIO DO16 694 452 02 Kuhnke FIO DO8 1A 694 452 06 Kuhnke FIO DO8 2A 694 452 03 Kuhnke FIO DO8 Relay NO 24V 694 452 04 Kuhnke FIO DO8 Relay NO 230 VAC	16 Inputs 1ms, 8 Outputs 1A 16 Inputs 1ms, 16 Outputs 0.5A 8 Inputs 5ms/ 1ms, 8 Outputs 0.5A 32 Inputs 1ms/ 5ms 16 Inputs 1ms 16 Outputs 0.5A 8 Outputs 1A 8 Outputs 2A 8 Relais-Outputs, NO, 24V 2A 8 Relais-Outputs, NO, 230VAC 2A
Extension modules Analogue input / output (each channel configurable via CoE)	694 441 51 Kuhnke FIO AI4-I 12Bit 694 441 52 Kuhnke FIO AI4/8-U 13Bit 694 441 53 Kuhnke FIO AI8/16-U 13Bit 694 441 54 Kuhnke FIO AI8-I 12Bit 694 442 52 Kuhnke FIO AO4-U/I 16Bit 694 444.65 Kuhnke FIO AI4 12 Bit/AO4 16 Bit	4 Inputs 0(4)..20mA 4 diff. / 8 s.e. Inputs 0..10V / -10..+10V 8 diff. / 16 s.e. Inputs 0..10V / -10..+10V 8 Inputs 0(4)..20mA 4 Ausg. 0(4)..20(24)mA / 0..10V, -10..+10V 4 Inputs 0..10V/0(4)..20mA, 4 Outputs 0(4)..20mA / 0..10V, -10..+10V
Extension modules Temperature input (each channel configurable via CoE)	694 443 57 Kuhnke FIO AI4-PT/Ni100 16 Bit 694 443 58 Kuhnke FIO AI8-PT/Ni1000 16 Bit	4 Inputs bzw. 8 Inputs PT100 / Ni100 oder PT1000 / Ni1000 oder Thermo Typ J, K oder mV

Extension modules Counter / CAM Control / Drive Control	694 444 01 Kuhnke FIO Counter 2 694 454 01 Kuhnke FIO Counter / Posi 2 654 444 11 Kuhnke FIO CAM Control 694 454 16 Kuhnke FIO Drive Control	2 Counter 400kHz 2 Counter 400kHz, 2 AO* 0V..10V 24 CAM-Outputs 0.5A, 1 DI* 1ms, 4 AI* 24V od. 0..10V) Stepper- or brushless motor, 5A
Extension modules Mixed I/O	694 444 62 Kuhnke FIO MIX 02 694 444 64 Kuhnke FIO MIX 04	4 DI*, 24 DO*, 4 AI*,ABRef, configurable 4 AI 12Bit, 4AO 16Bit, 2 Counter /Encoder configurable via CoE
Extension modules Safety	694 330 00 Kuhnke FIO Safety PLC 694 430 00 Kuhnke FIO Safety SDI4/SDO2 694 430 10 Kuhnke FIO Safety SDI8/SDO2 694 430 20 Kuhnke FIO Safety SDI16/SDO4 694 431 00 Kuhnke FIO Safety SDI16	FSoE Master, CODESYS Safety FSoE Slave, 4 safe DI*, 2 safe DO* FSoE Slave, 8 safe DI*, 2 safe DO* FSoE Slave, 16 safe DI*, 4 safe DO* FSoE Slave, 16 safe DI*

*DI=digital Inputs, DO=Digital Outputs, AI=Analogue Inputs, AO=Analogue Outputs

We reserve the rights of modification, omission, error with respect to the products. Illustrations similar. All rights reserved by the individual copyright holders. EtherCAT® is registered trademark and patented technology, licensed by Beckhoff Automation GmbH, Germany. Safety over EtherCAT® is registered trademark and patented technology, licensed by Beckhoff Automation GmbH, Germany. Microsoft®, Windows® and the Windows® Logo are registered trademarks of Microsoft Corporation in the USA and other countries. At www.plcopen.org you will find more information about PLCopen Organisation. CODESYS is a product of 3S-Smart Software Solutions GmbH. CIA® and CANopen® are registered community trademarks of CAN in Automation e.V. . PROFINET® is a registered trademark of PROFIBUS and PROFINET International (PI).